

Horner Pro King Portable Basketball Floor

Installation Instructions

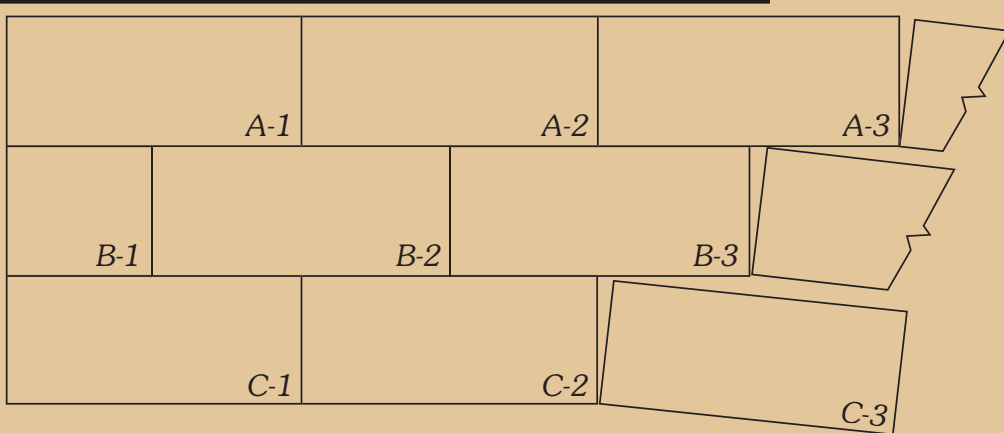
1. Find starting point for Panel A-1. Set panel A-1 on floor at starting point. Place Panel A-2 next to the finger jointed end of A-1 at an angle of approximately 45°. Engage Pro Pivot. Swing panel A-2 clockwise making sure panel A-1 and A-2 butt tightly together. Follow same procedure with remainder of Row A.

*Note: If arena has a camera area, Row A should be located on the same side of arena as the camera.

2. Start Row B with Panel B-1. (Panel B-1 will be a 4' x 4' panel.) Slide the panel in place by engaging the sliding lock into the U shaped end lock. Angle of B-1 should be approximately 5°. Slide panel B-1 counter-clockwise. Place panel B-2 next to the finger jointed end of B-1 at an angle of approximately 45°. Engage Pro Pivot and swing panel B-2 counter-clockwise into place. Continue remainder of row B, when B-14 has been set in place, tighten nut on the end locking hardware.

3. Row C thru Row O are installed the same as Row B.

Interlock Sequence



Care and Maintenance

Storage Area

Storage area should be dry and well ventilated. The area should be heated to a minimum of 60° and relative humidity should be in the 45% to 55% range.

Moving Panels To and From Storage Area

Storage carts are available to move the portable floor from storage area to arena and back. Each row should have its own storage cart.

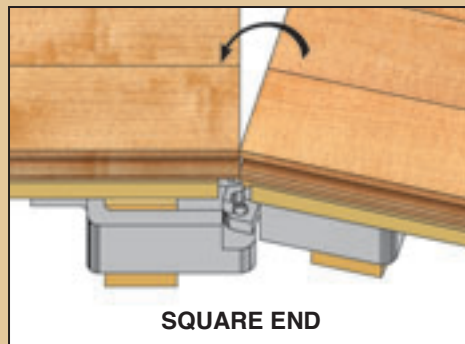
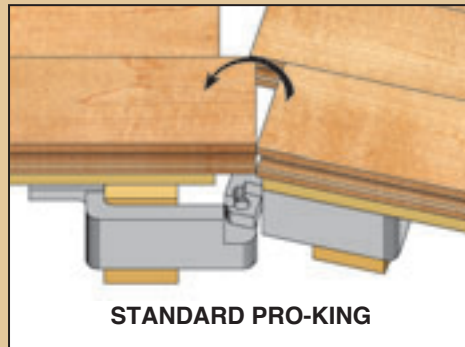
Fork lift truck may be used if simple precautions are taken. Forks should be extended to 48" to give solid lift to whole panel. Forks should spread 42" to prevent tipping.

When stacking floor, care should be taken to place panels face to face then back to back. Protectors should be placed between faces. Material shipped with the floor may be used. Panels will nest for storage.

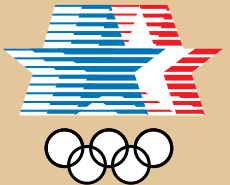
Finish Protection

Your portable basketball floor has been finished with four (4) coats of the finest oil modified urethane available. This should, under normal wear, give one to two years of excellent service. The floor should be dry mopped with a cotton sweeping mop before each game, during half time and prior to storage to remove any grit that might be on the surface. If floor is left down for a period of time, mop floor daily.

In-house refinishing can be done under the direction of floor manufacturer.



The latest design in portable basketball floors



HORNER FLOORING CO.

P.O. Box 380 | 23400 HELLMAN AVE. | DOLLAR BAY, MI 49922

PHONE: (906) 482-1180 | FAX: (906) 482-6115

www.hornerflooring.com

HORNER FLOORING CO.

Pivot... the move to make in portable basketball floors

A tradition of excellence

The winning combination of fast assembly and superior playing characteristics is now available in the PRO-KING portable basketball floor by Horner. Now the smallest gymnasium or largest arena can easily schedule a two event day.

The PRO-KING is constructed to meet the demands of professional and collegiate competition. For over 90 years, Horner Flooring has been a leader in hard maple flooring. This tradition is reflected by the many floors currently in use by NBA teams and nationally recognized colleges and universities. Like all Horner basketball floors, the PRO-KING exceeds competitive standards for playability.

PRO-KING portables bridge the gap between the playing qualities inherent in permanent floors and the fast down requirements of a multi-event facility. Add to this the high quality appearance and detail finishing associated with all Horner floor systems and you will be convinced that the PRO-KING is a superior value.

Fastest assembly available

The PRO-KING is the fastest and simplest portable to assemble on the market today. Requiring only 6-8 man/hours by an experienced crew, this quality engineered

floor can be put down and ready for play. This unequalled time-saving performance is accomplished without special tools and no loose hardware to hold the floor together.

Consisting of 203 4' by 8' panels and 14 4' by 4' panels, the 60' by 112' floor is constructed with an accuracy that permits interchanging of panels subject to court markings. Interlocking finger joints at the panel ends with a tongue and groove fit at the sides allow perfect alignment. Since there are no continuous seams at the joints, the finished appearance is that of permanent strip flooring.

The PRO-KING is designed to be easily installed over concrete, synthetic or approved insulated floor of an ice arena. Each panel is easily guided into position with Horner's patented Pro-Pivot hinge and securely fastened by a sliding lock. Completely hidden from view, this patented system has no loose hardware to be mislaid or damaged during the frequent installation and disassembly required in a busy sports facility.

Superior playing characteristics

Precision panels of northern hard maple are factory assembled over 1/2" underlayment board securely attached to 2" x 2" Thrust Joist Stringers providing a playing



2004 NBA All-Star Game
Staples Arena
Los Angeles, CA

Accessories Available

Storage trucks provide mobile storage and the most convenient means to keep each section in proper rotation for easy placement and removal. These trucks are all steel low-bed design and provided with the correct wheels to accommodate the particular surface on which they will be moved.

We can also provide a built in Volleyball System whereby no holes have to be drilled into the concrete slab. This saves much time in the installation process and disassembly procedure.

Horner quality saves you money.

PRO-KING portables are manufactured at the same site as the MFMA maple flooring used to fabricate them. This results in superior quality control that pays dividends over the long run. Our tough northern hard maple is unequalled for resistance to wear and identification.

Our Pro-Pivot system offers significant savings in labor costs and down time between events. When you add up all the benefits will be convinced that the PRO-KING is indeed the move to make in portable basketball floors.



NBA Japan Games
Saitama Super Arena - 2003

surface with the natural resiliency of wood. This natural resilience offers better footing and a "live" action feel. The result – a floor preferred by players everywhere.

The PRO-KING sub-floor fastening system affords total control of expansion due to normal changes in humidity. This assures a tight fitting and level playing surface. In addition, the hidden fastening system leaves the surface free of nails or locking hardware for greater safety. Players perform better with less fatigue and less chance of leg and ankle injuries.

Construction

Each panel is constructed of 2 1/4" wide MFMA northern hard maple strip flooring over 1/2" underlayment board (1 1/2" wide maple strip flooring also available). Attached with specially coated nailing cleats, the playing surface and underlayment is laid over accurately placed stringers to increase the stability of each panel. The maple flooring strips are individually fastened to each framing member. Specially coated nailing cleats provide more durable fastening than the commonly used powernails or face nails used in other floors.

The completed panels are sealed and finished with the finest oil-modified urethane available.

The Pro-Pivot, slide lock, end connectors and Pro-Lock are fabricated from 1/4" steel. This hardware is securely bolted and screwed to framing members, underlayment and maple flooring. Combined with the flooring's own tongue and groove construction this system assures resistance to loosening and damage during installation.

Your PRO-KING portable is sanded and finished in our own facilities under controlled temperature and humidity conditions. After the floor is completely sealed, court markings are expertly done by our finishing staff. After painting, three coats of finish are applied.

The completed floor is allowed to dry for a minimum of 72 hours before being shipped. All panels are marked to facilitate identification. Final adjustment to the floor will be done at your site as part of the first installation. Our representative will instruct your crew in the best way to assemble and disassemble the floor as well as explain the best way to handle, store and maintain the PRO-KING floor.



Target Center
Minneapolis, Minnesota